

Shade Structures *and* Seating

*combining two
functions into a
single structure...*

Fay Jones, Thorncrown Chapel
Eureka Springs Arkansas, 1980



Fay Jones, Thorncrown Chapel, Eureka Springs Arkansas, 1980

Shade Structures



Shade Structures

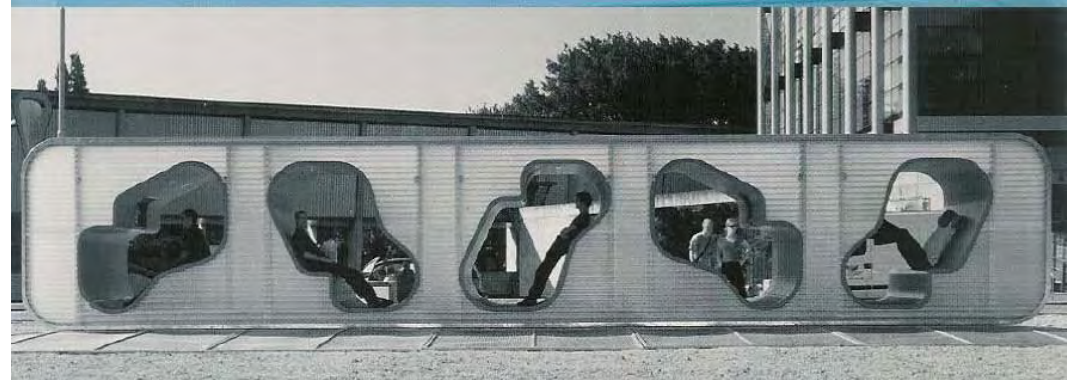


Shade Structures



Concept: Seating & Structure

Becoming Wall, Becoming Chair
Coggan and Crawford





Concept: Seating & Interacting





Details of
construction
match the
concept



Pablo Reinoso, Spaghetti Bench

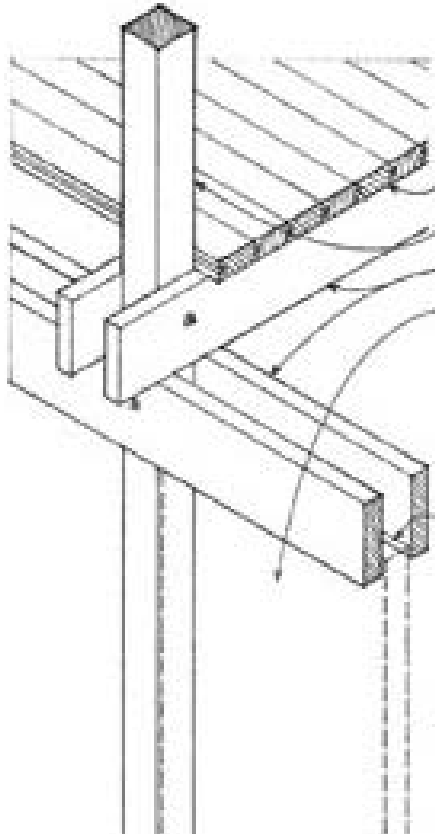


Pablo Reinoso, Spaghetti Bench





Structural Unit individual and repeated



- Wood decking; see 4.40.
- Solid column
- Spaced beams
- Nonloadbearing infill may consist of wood stud framing, prefabricated wall panels, or door and window units.
- Joint details should provide a weathertight seal through the use of offsets, flashing, or caulking.
- Allowance should be made for the movement of exposed wood due to





Materials other than Wood

< Phoenix bus stop

v Shade structure by Toyo Ito



Pavilion at the Serpentine
Gallery, London, 2002
by Toyo Ito

